

## Yuasa FXC Series, VRLA Battery

Yuasa FXC batteries are the ideal VRLA 12V batteries for cyclic applications. FXC batteries use superior deep cycle technology, and highest quality materials which result in long cycle life and excellent electrical performance. Thick grids and new optimised paste formulation have extended cycle life performance to a new level which is more than double the cycle life of other VRLA batteries.

- High Cyclic Design
- Long Service Life 1500 cycles @ 50% DOD
- Flame retardant battery lid and container (UL94 V-0)

### General Performance

Battery	FXC250-12	
Application	Cyclic	
Design Life	1500 cycles @ 50% DOD @ 25°C	
Nominal Capacity	250Ah (20Hr rate to 1.75VPC @ 25°C)	
Actual Capacity at 25°C	1 hour rate to 1.70VPC	149Ah
	3 hour rate to 1.70VPC	189.6Ah
	10 hour rate to 1.80VPC	225Ah
	20 hour rate to 1.75VPC	250Ah

### Electrolyte

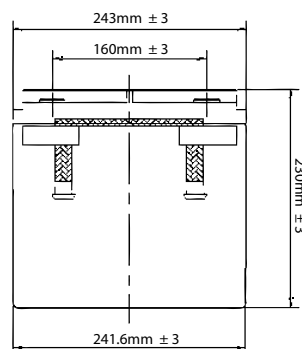
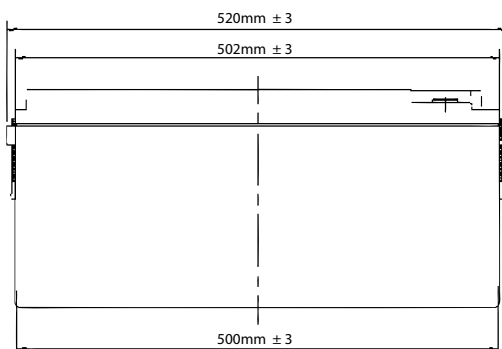
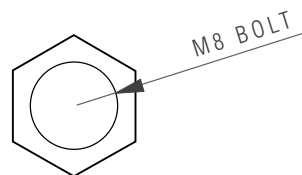
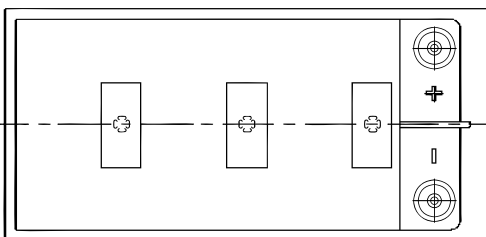
Type	Absorbed
Mounting Orientation	Vertical

### Torque Setting

Terminal Torque Setting	10.2 ± 1 N.m
-------------------------	--------------

### Compliant Standard

Manufacturing Standard	JIS C8704-2: 1999
------------------------	-------------------



**Yuasa FXC Series, VRLA Battery**

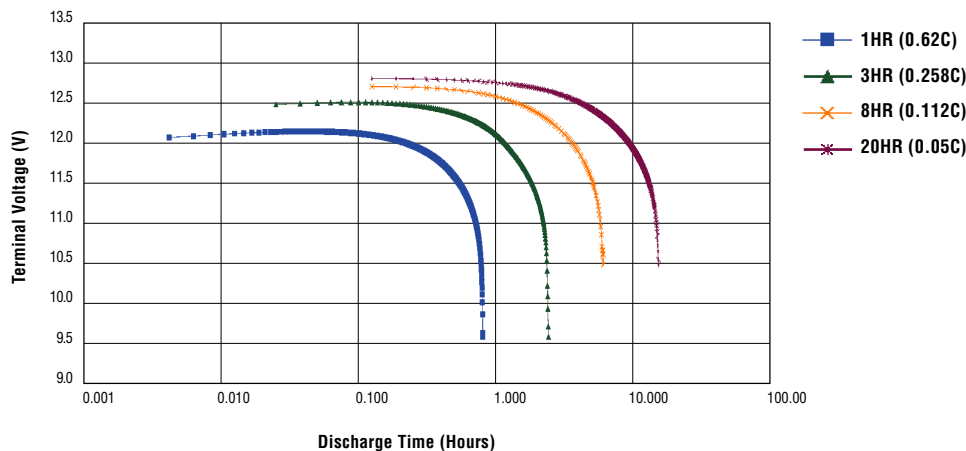
**Physical Properties**

Container & Cover Materials	
Cell Material, Colour	Acrylonitrile Butadiene Styrene ABS/Black
Battery Material, Colour	Acrylonitrile Butadiene Styrene ABS/Black
Flame Retardant	Yes UL94 V-0
Safety Vent Operational Pressure	20KPA
Dimensions:	
Width	243mm ± 3
Depth	520mm ± 3
Height	230mm ± 3
Overall Height	230mm ± 3
Battery Weight(kg)	75kg

**Electrical Properties**

Self Discharge Rate @ 25°C	<3% / mth
Normal Charge (Amperes)	25A
Max. Charge (Amperes)	25A
Max. Sustained Current (Without damage discharging, 5Sec)	1000A
Internal Resistance (mOHMS)	2.0mΩ
Volts End of charge @25°C	14.4 - 15V
Float Voltage @25°C	13.65 ± 0.15V
Initial Short circuit current (A)	6825
Efficiency at 10 hour rate (%)	
Ampere-Hour	>90%
Watt-Hour	>78%

**Discharge Characteristics Of FXC Batteries  
Constant Current Discharge @25°C**



**CenturyYuasa**

An affiliated business of the GS Yuasa Corporation, Century Yuasa has an 80-year history of supplying a range of stored energy solutions to the Australian market. An established network of sales and distributions offices throughout Australia and New Zealand has seen the business gain the trust and respect from its customers by focusing on quality products and exceptional customer service. CenturyYuasa is Australia's enduring manufacturer of stored energy products.

Mkt No. YU309-1682