

Bosch M4

DC24 - Deep Cycle Marine



BOSCH

Invented for life

Applications

► Marine / Starting

Specifications

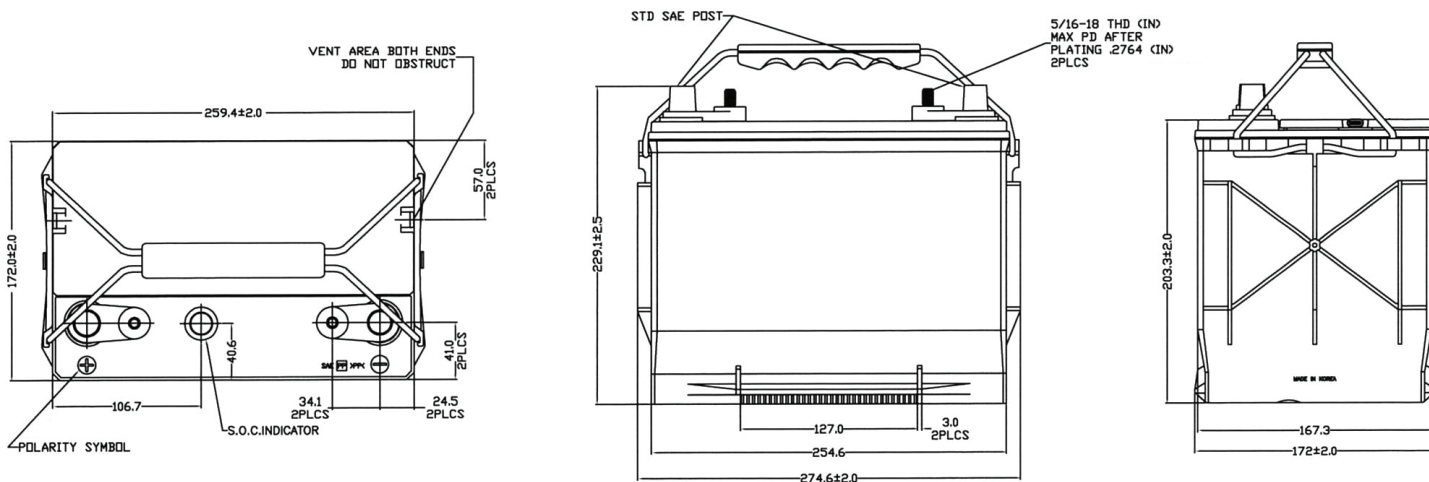
Short Order Number	DC24
Bosch 13 Digit Part Number	0092S47074HH0
EAN Barcode	4047025475655
Product Series	M4
Technology	Calcium Technology
Warranty Period	12 Months (Starting - Marine Application) 6 Months (Cycling - Marine Application)

Technical Information

Nominal Voltage	12V	
Nominal Capacity (20HR)	70AH	
Reserve Capacity	120 Min	
Cold Cranking Amperes (CCA)	500CCA	
Dimension	Length	274.6mm (10.80 inches)
	Width	172mm (6.77 inches)
	Container Height	203mm (7.99 inches)
	Total Height (with Terminal)	229mm (9.0 inches)
Approx Weight	Approx 20.32 kg (44.70 lbs)	
Terminal/Layout	MARINE Dual SAE/Threaded	
Container Material	SAE PP (Colour - Black)	
Lid Design	Labrynth Lid	
Base Hold Down	B7	

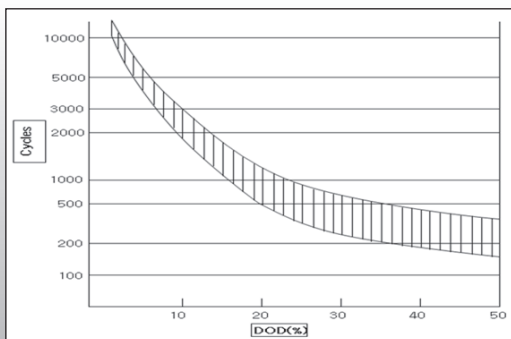
Dimensions

MARINE Dual SAE/Threaded

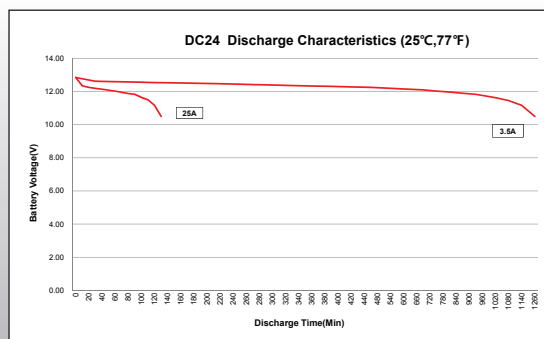


Product Performance Charts

Depth of Discharge Cycling Test



Discharge Characteristics Test



Your address for genuine Bosch quality:

Dealer stamp here: