

# Bosch M4

## DC27 - Deep Cycle Marine



**BOSCH**

Invented for life

### Applications

► Marine / Starting

### Specifications

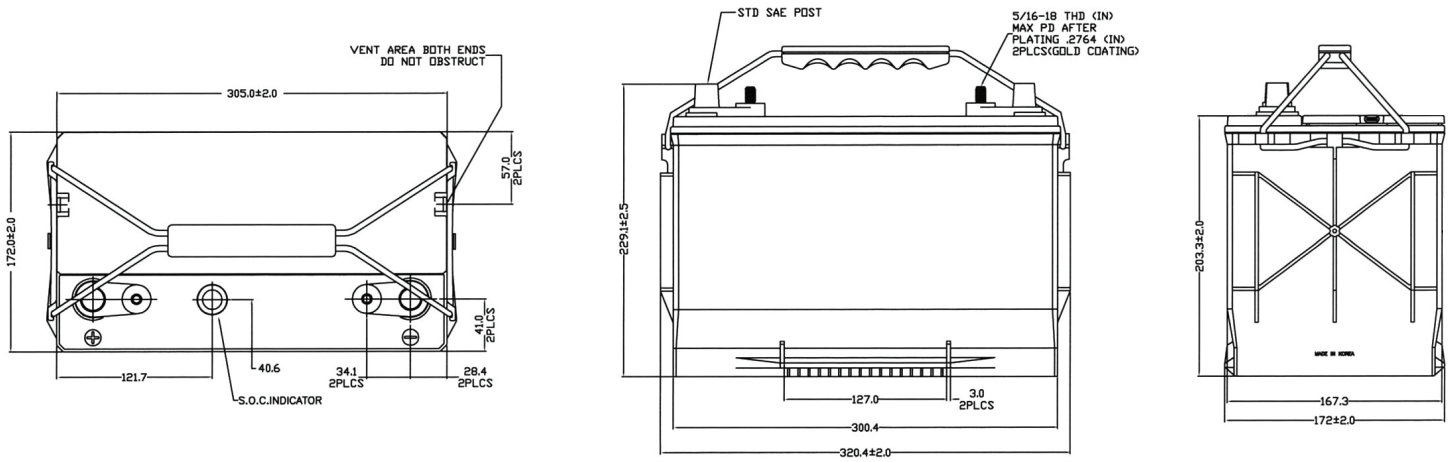
Short Order Number	DC27
Bosch 13 Digit Part Number	0092S47075HH0
EAN Barcode	4047025475662
Product Series	M4
Technology	Calcium Technology
Warranty Period	12 Months (Starting - Marine Application) 6 Months (Cycling - Marine Application)

### Technical Information

Nominal Voltage	12V	
Nominal Capacity (20HR)	80AH	
Reserve Capacity	145 Min	
Cold Cranking Amperes (CCA)	570CCA	
Dimension	Length	320mm (12.60 inches)
	Width	172mm (6.77 inches)
	Container Height	203mm (7.99 inches)
	Total Height (with Terminal)	229mm (9.0 inches)
Approx Weight	Approx 23.70 kg (52.14 lbs)	
Terminal/Layout	MARINE Dual SAE/Threaded	
Container Material	SAE PP (Colour - Black)	
Lid Design	Labrynth Lid	
Base Hold Down	B7	

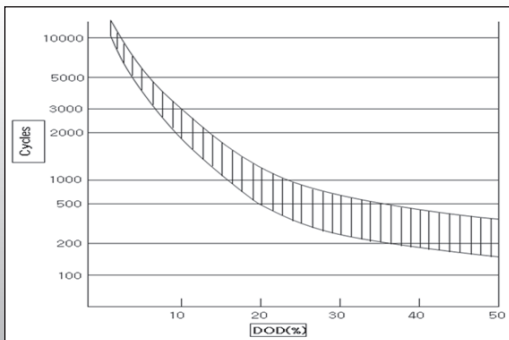
# Dimensions

## MARINE Dual SAE/Threaded

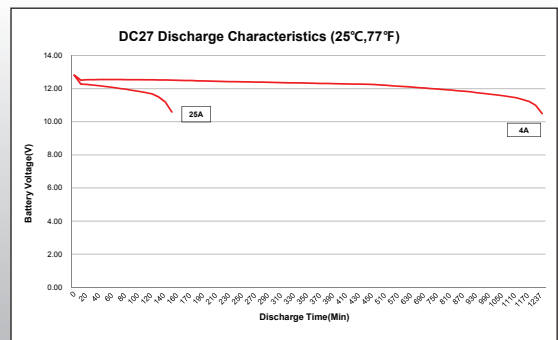


# Product Performance Charts

## Depth of Discharge Cycling Test



## Discharge Characteristics Test



Your address for genuine Bosch quality:

Dealer stamp here: